

# Instrument Transformers—600 Volt Class

## Voltage Transformers, Current Transformers

### Class 4210

**Square D**  
**www.SquareD.com**  
 FOR CURRENT INFORMATION



Model 450R



Model 460R  
 Model 470R

### Voltage Transformers

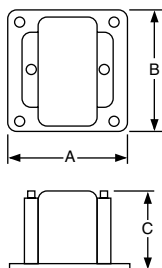
- These voltage transformers are designed for line-to-line or line-to-ground connection on the primary voltage indicated. See the table below to determine the applicable configuration for proper system voltage indication.
- Model 450R is designed for switchboard use. This model features high accuracy and burden capacity for excellent performance in metering and indication.
- Model 460R is a compact, lightweight design, providing exceptional performance in indicating applications.
- Model 470R is a compact, low cost design optimized for maximum accuracy and performance when used with POWERLOGIC® circuit monitors.

### UR/cUR Recognized. 60 Hz

MODEL 450R Thermal Rating: 500 VA @ 30°C; 300 VA @ 55°C. Accuracy 0.3W. X.M & Y: 1.2 Z		MODEL 460R Thermal Rating: 150 VA @ 30°C: 100 VA @ 55°C. Accuracy 0.6W: 1.2 X		MODEL 470R Thermal Rating: 150 VA @ 30°C: 100 VA @ 55°C. Accuracy 0.3W: 1.2 X		System Voltage	Winding Ratio
Catalog Number▲	Price Each	Catalog Number▲	Price Each	Catalog Number▲	Price Each		
450R069	\$301.	460R069	\$225.	470R069	\$248.	69/120Y 120/208Y 120/208Y 240/416Y 288/500Y□	0.58:1 1:1 1.73:1 2:1 2.4:1
450R120	301.	460R120	225.	470R120	248.		
450R208	301.	460R208	225.	470R208	248.		
450R240	301.	460R240	225.	470R240	248.		
450R288	301.	460R288	225.	470R288	248.		
450R300	314.	460R300	232.	470R300	256.	300/520Y 220/380Y 480/480Y◇ 600/600Y	2.5:1 3.17:1 4:1 5:1
450R380★	345.	460R380★	255.	470R380★	282.		
450R480	314.	460R480	232.	470R480	256.		
450R600	314.	460R600	232.	470R600	256.		

### Current Transformers

#### General Purpose Compact Units UR/cUR Recognized

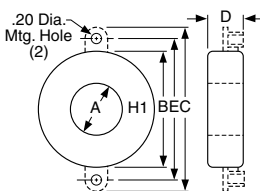


Window Size	Catalog Number▲ (without brackets)△	Current Rating (Amperes)	VA 60 Hz	VA 400 Hz	Accuracy (At Rated Current)	Rating Factor 30°C Ambient	Price Each	
1 1/8"	<b>2NR500</b>	50:5	1.0	2.0	= 2%	1.0	\$27.60	
	<b>2NR600</b>	60:5	1.0	2.0	= 2%	1.0	27.60	
	<b>2NR750</b>	75:5	1.5	3.0	= 2%	1.0	27.60	
	<b>2NR800</b>	80:5	1.5	3.0	= 2%	1.0	27.60	
	<b>2NR101</b>	100:5	2.0	4.0	= 1%	1.0	27.60	
	<b>2NR121</b>	120:5	2.5	5.0	= 1%	1.0	27.60	
	<b>2NR1250</b>	125:5	2.5	5.0	= 1%	1.0	27.60	
	<b>2NR151</b>	150:5	2.5	5.0	= 1%	1.0	27.60	
	<b>2NR201</b>	200:5	2.5	5.0	= 1%	1.0	27.60	
	<b>2NR251</b>	250:5	2.5	5.0	= 1%	1.0	27.60	
	<b>2NR301</b>	300:5	2.5	5.0	= 1%	1.0	27.60	
	1 9/16"	<b>5NR101</b>	100:5	2.0	4.0	= 1%	1.0	32.50
<b>5NR151</b>		150:5	2.5	5.0	= 1%	1.0	32.50	
<b>5NR201</b>		200:5	5.0	12.5	= 1%	1.0	32.50	
<b>5NR251</b>		250:5	5.0	12.5	= 1%	1.0	32.50	
<b>5NR301</b>		300:5	5.0	12.5	= 1%	1.0	32.50	
<b>5NR401</b>		400:5	12.5	25.0	= 1%	1.0	35.30	
<b>5NR501</b>		500:5	12.5	25.0	= 1%	1.0	35.30	
<b>5NR601</b>		600:5	25.0	50.0	= 1%	1.0	35.30	
1 9/16"	<b>54R101</b>	100:5	2.0	4.0	= 1%	1.0	34.40	
	<b>54R151</b>	150:5	2.5	5.0	= 1%	1.0	34.40	
	<b>54R201</b>	200:5	5.0	12.5	= 1%	1.0	34.40	
	<b>54R251</b>	250:5	5.0	12.5	= 1%	1.0	34.40	
	<b>54R301</b>	300:5	5.0	12.5	= 1%	1.0	34.40	
	<b>54R401</b>	400:5	12.5	25.0	= 1%	1.0	38.20	
	<b>54R501</b>	500:5	12.5	25.0	= 1%	1.0	38.20	
	<b>54R601</b>	600:5	25.0	50.0	= 1%	1.0	38.20	
	2 1/4"	<b>7RL500</b>	50:5	2.5	5.0	= 1%	1.5	39.00
		<b>7RL101</b>	100:5	2.5	5.0	= 1%	1.5	39.00
<b>7RL151</b>		150:5	2.5	5.0	= 1%	1.5	39.00	
<b>7RL201</b>		200:5	5.0	10.0	= 1%	1.5	39.00	
<b>7RL251</b>		250:5	5.0	10.0	= 1%	1.5	39.00	
<b>7RL301</b>		300:5	5.0	10.0	= 1%	1.5	39.00	
<b>7RL401</b>		400:5	12.5	25.0	= 1%	1.5	39.00	
<b>7RL501</b>		500:5	12.5	25.0	= 1%	1.5	39.00	
<b>7RL601</b>		600:5	12.5	25.0	= 1%	1.5	39.00	
<b>7RL751</b>		750:5	12.5	25.0	= 1%	1.5	39.00	
<b>7RL801</b>		800:5	12.5	25.0	= 1%	1.5	39.00	
<b>7RL102</b>		1000:5	25.0	50.0	= 1%	1.5	45.00	
<b>7RL122</b>		1200:5	25.0	50.0	= 1%	1.5	45.00	
<b>7RL152</b>		1500:5	25.0	50.0	= 1%	1.5	45.00	

Model	Dimensions		
	A	B	C
450R	6	7 1/8	5 1/8
460R	4 3/4	4 1/2	3 3/8
470R	4 3/4	4 1/2	3 3/8



Model 54R



Model	Dimensions (Inches)				
	A	B	C	D	E
2NR	1.13	2.38	...	.94	...
5NR	1.56	3.50	...	1.06	...
54R	1.56	3.50	4.56	1.06	4.00
7RL	2.25	4.38	...	1.38	...

▲ Catalog Numbers shown in bold type are normally stocked items.  
 △ Mounting brackets on page 12-24.  
 □ Use on 277/480 Wye systems  
 ◇ Use on 480 V Delta systems  
 ★ Designed for 50 Hz applications

12 TRANSFORMERS

For additional information including excitation curves, reference Bulletin #4210CT9701R6/01 or D-FAX™ #197 (Pages Front Cover-30) and #201 (Pages 31-Back Cover).



**Square D**  
**www.SquareD.com**  
 FOR CURRENT INFORMATION

**Instrument Transformers—600 Volt Class**  
**Toroidal Current Transformers**  
**Class 421**



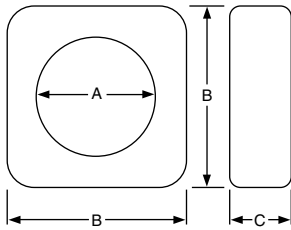
Models 64R, 74R



Models 66R, 76R



Models 100R, 110R, 120R and 140R



Model	Dimensions (inches)		
	A	B	C
64R	1 15/16	4 3/16	1 1/2
66R	1 15/16	4 3/16	3 1/16
74R	2 11/32	4 11/16	1 5/8
76R	2 11/32	4 11/16	3 1/4
100R	4	7	2 1/8
110R	4	7	2 1/8
120R	5 3/4	8 1/2	2 1/8
140R	8 1/8	11	3

**Toroidal Current Transformers UR/cUR Recognized 25–400 Hz**

Window Size	Catalog Number ▲ (without brackets) Δ	Current Rating (Amperes)	Relay Class	ANSI Accuracy Classification — 60 Hz Metering Class					Rating Factor 30°C Ambient	Price	
				B-0.1	B-0.2	B-0.5	B-0.9	B-1.8			
1 15/16"	<b>64R101</b>	100:5	...	1.2	2.4	...	...	...	1.33	\$ 40.10	
	<b>64R151</b>	150:0	...	1.2	1.2	...	...	...	1.33	40.10	
	<b>64R201</b>	200:5	...	1.2	1.2	2.4	...	...	1.33	40.10	
	<b>64R251</b>	250:5	...	0.6	0.6	1.2	...	...	1.33	40.10	
	<b>64R301</b>	300:5	...	0.6	0.6	1.2	2.4	...	1.33	40.10	
	<b>64R401</b>	400:5	...	0.3	0.6	0.6	1.2	...	1.33	46.70	
	<b>64R501</b>	500:5	...	0.3	0.3	0.6	0.6	...	1.33	46.70	
	<b>64R601</b>	600:5	...	0.3	0.3	0.3	0.6	1.2	1.33	54.00	
	<b>64R751</b>	750:5	...	0.3	0.3	0.3	0.6	0.6	1.33	55.00	
1 15/16"	<b>66R101</b>	100:5	...	1.2	2.4	...	...	...	1.33	75.00	
	<b>66R151</b>	150:0	...	0.6	1.2	2.4	2.4	...	1.33	75.00	
	<b>66R201</b>	200:5	C10	0.6	0.6	1.2	2.4	...	1.33	75.00	
	<b>66R251</b>	250:5	C10	0.3	0.6	0.6	1.2	2.4	1.33	75.00	
	<b>66R301</b>	300:5	C10	0.3	0.3	0.6	1.2	2.4	1.33	75.00	
	<b>66R401</b>	400:5	C10	0.3	0.3	0.3	0.6	1.2	1.33	85.00	
	<b>66R501</b>	500:5	C20	0.3	0.3	0.3	0.6	0.6	1.33	85.00	
	<b>66R601</b>	600:5	C20	0.3	0.3	0.3	0.3	0.6	1.33	94.00	
	<b>66R751</b>	750:5	C20	0.3	0.3	0.3	0.3	0.3	1.33	97.00	
2 11/32"	<b>74R201</b>	200:5	...	1.2	1.2	0.6	...	...	1.33	55.00	
	<b>74R251</b>	250:5	...	1.2	1.2	0.6	1.2	...	1.33	55.00	
	<b>74R301</b>	300:5	...	0.6	0.6	1.2	2.4	...	1.33	55.00	
	<b>74R401</b>	400:5	...	0.3	0.3	0.6	1.2	...	1.33	55.00	
	<b>74R501</b>	500:5	...	0.3	0.3	0.6	0.6	1.2	1.33	55.00	
	<b>74R601</b>	600:5	...	0.3	0.3	0.3	0.6	1.2	1.33	55.00	
	<b>74R751</b>	750:5	...	0.3	0.3	0.6	0.6	1.2	1.33	59.00	
	<b>74R801</b>	800:5	...	0.3	0.3	0.3	0.6	1.2	1.33	58.00	
	<b>74R102</b>	1000:5	...	0.3	0.3	0.3	0.3	0.6	1.33	63.00	
	<b>74R122</b>	1200:5	...	0.3	0.3	0.3	0.3	0.6	1.33	70.00	
	<b>74R152</b>	1500:5	...	0.3	0.3	0.3	0.3	0.6	1.00	74.00	
	2 11/32"	<b>76R201</b>	200:5	C10	0.6	0.6	1.2	2.4	2.4	1.33	85.00
<b>76R251</b>		250:5	C10	0.3	0.6	1.2	1.2	2.4	1.33	85.00	
<b>76R301</b>		300:5	C10	0.3	0.3	0.6	1.2	1.2	1.33	85.00	
<b>76R401</b>		400:5	C10	0.3	0.3	0.3	0.6	1.2	1.33	85.00	
<b>76R501</b>		500:5	C10	0.3	0.3	0.3	0.3	0.6	1.33	85.00	
<b>76R601</b>		600:5	C20	0.3	0.3	0.3	0.3	0.6	1.33	85.00	
<b>76R751</b>		750:5	C20	0.3	0.3	0.3	0.3	0.6	1.33	85.00	
<b>76R801</b>		800:5	C20	0.3	0.3	0.3	0.3	0.3	1.33	85.00	
<b>76R102</b>		1000:5	C20	0.3	0.3	0.3	0.3	0.3	1.33	108.00	
<b>76R122</b>		1200:5	C20	0.3	0.3	0.3	0.3	0.3	1.33	112.00	
<b>76R152</b>		1500:5	C20	0.3	0.3	0.3	0.3	0.3	1.00	131.00	
4"		<b>100R201</b>	200:5	C10	0.6	1.2	2.4	...	...	1.33	110.00
	<b>100R301</b>	300:5	C10	0.3	0.6	1.2	1.2	2.4	1.33	110.00	
	<b>100R401</b>	400:5	C20	0.3	0.3	0.6	1.2	1.2	1.33	110.00	
	<b>100R501</b>	500:5	C20	0.3	0.3	0.6	0.6	1.2	1.33	110.00	
	<b>100R601</b>	600:5	C20	0.3	0.3	0.3	0.6	0.6	1.33	110.00	
	<b>100R801</b>	800:5	C20	0.3	0.3	0.3	0.3	0.6	1.33	110.00	
	<b>100R102</b>	1000:5	C50	0.3	0.3	0.3	0.3	0.3	1.33	137.00	
	<b>100R122</b>	1200:5	C50	0.3	0.3	0.3	0.3	0.3	1.33	137.00	
	<b>100R152</b>	1500:5	C50	0.3	0.3	0.3	0.3	0.3	1.33	160.00	
	<b>100R162</b>	1600:5	C50	0.3	0.3	0.3	0.3	0.3	1.33	160.00	
	<b>100R202</b>	2000:5	C50	0.3	0.3	0.3	0.3	0.3	1.33	160.00	
	4"	<b>110R201</b>	200:5	C20	0.6	0.6	1.2	2.4	...	1.33	156.00
<b>110R301</b>		300:5	C20	0.3	0.3	0.6	1.2	2.4	1.33	156.00	
<b>110R401</b>		400:5	C20	0.3	0.3	0.3	0.6	1.2	1.33	156.00	
<b>110R501</b>		500:5	C50	0.3	0.3	0.3	0.6	0.6	1.33	156.00	
<b>110R601</b>		600:5	C50	0.3	0.3	0.3	0.3	0.6	1.33	156.00	
<b>110R801</b>		800:5	C50	0.3	0.3	0.3	0.3	0.3	1.33	177.00	
<b>110R102</b>		1000:5	C100	0.3	0.3	0.3	0.3	0.3	1.33	192.00	
<b>110R122</b>		1200:5	C100	0.3	0.3	0.3	0.3	0.3	1.33	192.00	
<b>110R152</b>		1500:5	C100	0.3	0.3	0.3	0.3	0.3	1.33	207.00	
<b>110R162</b>		1600:5	C100	0.3	0.3	0.3	0.3	0.3	1.33	207.00	
<b>110R202</b>		2000:5	C100	0.3	0.3	0.3	0.3	0.3	1.33	207.00	
5 3/4"		<b>120R201</b>	200:5	C10	1.2	2.4	2.4	...	...	1.33	122.00
	<b>120R301</b>	300:5	C10	0.6	1.2	2.4	2.4	...	1.33	122.00	
	<b>120R401</b>	400:5	C20	0.3	0.6	1.2	1.2	2.4	1.33	122.00	
	<b>120R501</b>	500:5	C20	0.3	0.3	0.6	1.2	2.4	1.33	122.00	
	<b>120R601</b>	600:5	C20	0.3	0.3	0.6	0.6	1.2	1.33	122.00	
	<b>120R801</b>	800:5	C20	0.3	0.3	0.3	0.6	0.6	1.33	127.00	
	<b>120R102</b>	1000:5	C50	0.3	0.3	0.3	0.3	0.6	1.33	139.00	
	<b>120R122</b>	1200:5	C50	0.3	0.3	0.3	0.3	0.3	1.33	139.00	
	<b>120R152</b>	1500:5	C50	0.3	0.3	0.3	0.3	0.3	1.33	150.00	
	<b>120R162</b>	1600:5	C50	0.3	0.3	0.3	0.3	0.3	1.33	150.00	
	<b>120R202</b>	2000:5	C50	0.3	0.3	0.3	0.3	0.3	1.33	150.00	
		<b>120R252</b>	2500:5	C50	0.3	0.3	0.3	0.3	0.3	1.33	177.00
	<b>120R302</b>	3000:5	C50	0.3	0.3	0.3	0.3	0.3	1.33	177.00	
	<b>120R402</b>	4000:5	...	0.3	0.3	0.3	0.3	0.3	1.00	223.00	
8 1/8"	<b>140R500</b>	50:5	...	For Ground Fault Sensing					...	1.33	256.00
	<b>140R101</b>	100:5	...	...	...	...	...	...	1.33	256.00	
	<b>140R401</b>	400:5	C20	0.6	0.6	1.2	1.2	2.4	1.33	256.00	
	<b>140R501</b>	500:5	C20	0.3	0.3	0.6	1.2	1.2	1.33	256.00	
	<b>140R601</b>	600:5	C20	0.3	0.3	0.6	0.6	1.2	1.33	256.00	
	<b>140R801</b>	800:5	C50	0.3	0.3	0.3	0.6	0.6	1.33	256.00	
	<b>140R102</b>	1000:5	C50	0.3	0.3	0.3	0.3	0.6	1.33	275.00	
	<b>140R122</b>	1200:5	C100	0.3	0.3	0.3	0.3	0.3	1.33	275.00	
	<b>140R152</b>	1500:5	C100	0.3	0.3	0.3	0.3	0.3	1.33	324.00	
	<b>140R202</b>	2000:5	C100	0.3	0.3	0.3	0.3	0.3	1.33	324.00	
	<b>140R252</b>	2500:5	C100	0.3	0.3	0.3	0.3	0.3	1.33	324.00	
	<b>140R302</b>	3000:5	C100	0.3	0.3	0.3	0.3	0.3	1.33	324.00	
<b>140R402</b>	4000:5	C100	0.3	0.3	0.3	0.3	0.3	1.33	344.00		
<b>140R502</b>	5000:5	C100	0.3	0.3	0.3	0.3	0.3	1.00	406.00		
	<b>140R602</b>	6000:5	C100	0.3	0.3	0.3	0.3	0.3	1.00	484.00	

▲ Catalog numbers shown in bold type are normally stocked items.  
 Δ Mounting brackets on page 12-24.

For additional information including excitation curves, reference Bulletin #4210CT9701R6/01 or D-FAX™ #197 (Pages Front Cover–30) and #201 (Pages 31–Back Cover).



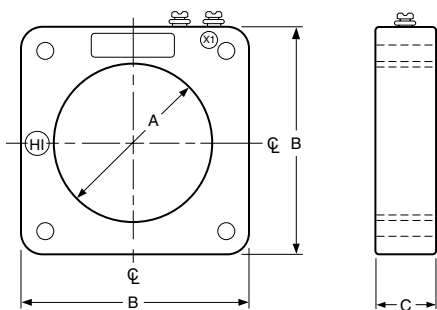
# Instrument Transformers—600 Volt Class

## Toroidal Current Transformers, Shorting Terminal Blocks

### Class 4210

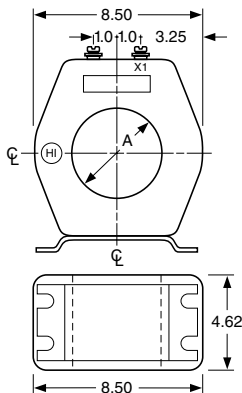
**Square D**  
**www.SquareD.com**  
 FOR CURRENT INFORMATION

#### Models 152R, 170R, 180R, 210R



Model	Dimensions (inches)		
	A	B	C
152R	6.88	12.25	4.12
170R	4.25	6.75	1.31
180R	2.50	4.50	2.12
210R	6.25	9.50	2.87

#### Models 200R, 201R, 202R and 203R



Model	Dimension A (Inches)
200R	2.50
201R	3.50
202R	4.50
203R	5.25

Base is included

#### Shorting Terminal Blocks

Catalog No.	Description	Price
3090TB4	Shorting Terminal Block (4-pole)	\$49.
3090TB6	Shorting Terminal Block (6-pole)	56.

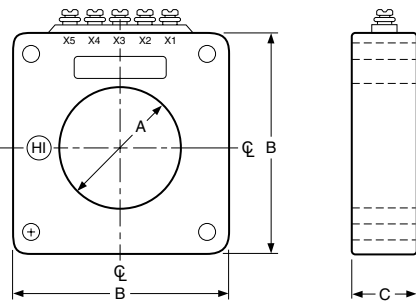
#### Toroidal Current Transformers UR/cUR Recognized 25–400 Hz

Window Size	Catalog Number <sup>▲</sup> (without brackets) <sup>△</sup>	Current Rating (Amperes)	Relay Class	ANSI Accuracy Classification—60 Hz Metering Class					Rating Factor 30°C Ambient	Price	
				B-0.1	B-0.2	B-0.5	B-0.9	B-1.8			
6 7/8"	152R500	50:5	C10	1.2	...	...	...	...	1.33	\$418.	
	152R101	100:5	C20	1.2	2.4	...	...	...	1.33	458.	
	152R151	150:5	C50	0.6	1.2	2.4	...	...	1.33	493.	
	152R201	200:5	C50	0.6	0.6	1.2	2.4	2.4	1.33	515.	
	152R251	250:5	C50	0.3	0.6	0.6	1.2	2.4	1.33	531.	
	152R301	300:5	C100	0.3	0.3	0.6	1.2	1.2	1.33	549.	
	152R401	400:5	C100	0.3	0.3	0.3	0.6	1.2	1.33	578.	
	152R501	500:5	C100	0.3	0.3	0.3	0.3	0.6	1.33	597.	
	152R601	600:5	C200	0.3	0.3	0.3	0.3	0.6	1.33	619.	
	152R801	800:5	C200	0.3	0.3	0.3	0.3	0.3	1.33	648.	
	152R102	1000:5	C200	0.3	0.3	0.3	0.3	0.3	1.33	679.	
	152R122	1200:5	C400	0.3	0.3	0.3	0.3	0.3	1.33	699.	
	152R152	1500:5	C400	0.3	0.3	0.3	0.3	0.3	1.33	724.	
	152R162	1600:5	C400	0.3	0.3	0.3	0.3	0.3	1.33	737.	
	152R202	2000:5	C400	0.3	0.3	0.3	0.3	0.3	1.33	761.	
	152R252	2500:5	C400	0.3	0.3	0.3	0.3	0.3	1.33	791.	
	152R302	3000:5	C400	0.3	0.3	0.3	0.3	0.3	1.33	819.	
	152R402	4000:5	C800	0.3	0.3	0.3	0.3	0.3	1.33	859.	
4 1/4"	170R201	200:5	...	1.2	0.6	2.4	...	...	1.33	84.	
	170R251	250:5	...	0.6	0.6	2.4	...	...	1.33	84.	
	170R301	300:5	...	0.6	0.6	1.2	2.4	...	1.33	84.	
	<b>170R401</b>	400:5	...	0.6	0.6	0.6	1.2	...	1.33	84.	
	170R501	500:5	...	0.3	0.6	0.6	1.2	...	1.33	84.	
	<b>170R601</b>	600:5	...	0.3	0.3	0.6	1.2	2.4	1.33	84.	
	170R751	750:5	C10	0.3	0.3	0.6	0.6	1.2	1.33	88.	
	<b>170R801</b>	800:5	C10	0.3	0.3	0.3	0.6	1.2	1.33	88.	
	<b>170R102</b>	1000:5	C10	0.3	0.3	0.3	0.3	0.6	1.33	115.	
	<b>170R122</b>	1200:5	C10	0.3	0.3	0.3	0.3	0.6	1.33	115.	
	170R152	1500:5	...	0.3	0.3	0.3	0.3	0.6	1.33	143.	
	<b>170R162</b>	1600:5	...	0.3	0.3	0.3	0.3	0.6	1.33	143.	
<b>170R202</b>	2000:5	...	0.3	0.3	0.3	0.3	0.3	1.33	143.		
<b>170R252</b>	2500:5	...	0.3	0.3	0.3	0.3	0.3	1.33	143.		
2 1/2"	<b>180R101</b>	100:5	...	2.4	2.4	...	...	...	1.33	65.	
	<b>180R151</b>	150:5	...	1.2	2.4	...	...	...	1.33	65.	
	<b>180R201</b>	200:5	...	1.2	1.2	2.4	...	...	1.33	65.	
	<b>180R251</b>	250:5	...	0.6	1.2	2.4	2.4	...	1.33	65.	
	<b>180R301</b>	300:5	...	0.6	0.6	1.2	2.4	...	1.33	65.	
	<b>180R401</b>	400:5	...	0.3	0.3	0.6	1.2	2.4	1.33	65.	
	<b>180R501</b>	500:5	...	0.3	0.3	0.6	0.6	1.2	1.33	65.	
	<b>180R601</b>	600:5	...	0.3	0.3	0.3	0.6	1.2	1.33	65.	
	180R751	750:5	...	0.3	0.3	0.3	0.3	0.6	1.33	71.	
	<b>180R801</b>	800:5	...	0.3	0.3	0.3	0.6	1.2	1.33	71.	
	<b>180R102</b>	1000:5	...	0.3	0.3	0.3	0.6	0.6	1.33	91.	
	<b>180R122</b>	1200:5	...	0.3	0.3	0.3	0.3	0.6	1.33	91.	
<b>180R152</b>	1500:5	...	0.3	0.3	0.3	0.3	0.3	1.33	97.		
2 1/2"	<b>210R122</b>	1200:5	C100	0.3	0.3	0.3	0.3	0.3	1.33	324.	
	<b>210R162</b>	1600:5	C100	0.3	0.3	0.3	0.3	0.3	1.33	324.	
	<b>210R202</b>	2000:5	C100	0.3	0.3	0.3	0.3	0.3	1.33	324.	
	<b>210R252</b>	2500:5	C200	0.3	0.3	0.3	0.3	0.3	1.33	368.	
	<b>210R302</b>	3000:5	C200	0.3	0.3	0.3	0.3	0.3	1.0	368.	
	<b>210R402</b>	4000:5	C200	0.3	0.3	0.3	0.3	0.3	1.0	411.	
2 1/2"	200R101	100:5	C50	0.6	1.2	1.2	...	...	1.5	427.	
	200R151	150:5	C50	0.3	0.6	0.6	1.2	2.4	1.5	427.	
	200R201	200:5	C100	0.3	0.3	0.6	1.2	1.2	1.5	427.	
	200R251	250:5	C100	0.3	0.3	0.3	0.6	1.2	1.5	427.	
	200R301	300:5	C100	0.3	0.3	0.3	0.3	0.6	1.5	427.	
	200R401	400:5	C200	0.3	0.3	0.3	0.3	0.3	1.5	427.	
	200R501	500:5	C200	0.3	0.3	0.3	0.3	0.3	1.5	427.	
	200R601	600:5	C200	0.3	0.3	0.3	0.3	0.3	1.5	427.	
3 1/2"	201R101	100:5	C20	1.2	1.2	2.4	2.4	...	1.5	349.	
	201R151	150:5	C50	0.3	0.6	1.2	2.4	2.4	1.5	349.	
	201R201	200:5	C50	0.3	0.3	0.6	1.2	2.4	1.5	349.	
	201R251	250:5	C100	0.3	0.3	0.6	1.2	1.2	1.5	349.	
	201R301	300:5	C100	0.3	0.3	0.3	0.6	1.2	1.5	349.	
	201R401	400:5	C100	0.3	0.3	0.3	0.3	0.6	1.5	359.	
	201R501	500:5	C200	0.3	0.3	0.3	0.3	0.3	1.5	359.	
	201R601	600:5	C200	0.3	0.3	0.3	0.3	0.3	1.5	359.	
	201R751	750:5	C200	0.3	0.3	0.3	0.3	0.3	1.5	370.	
	201R801	800:5	C200	0.3	0.3	0.3	0.3	0.3	1.5	389.	
	4 1/2"	202R101	100:5	C20	1.2	2.4	2.4	...	...	1.5	304.
		202R151	150:5	C20	1.2	1.2	2.4	2.4	...	1.5	304.
202R201		200:5	C50	0.3	0.6	1.2	1.2	2.4	1.5	304.	
202R251		250:5	C50	0.3	0.3	0.6	1.2	1.2	1.5	313.	
202R301		300:5	C50	0.3	0.3	0.6	0.6	1.2	1.5	313.	
202R401		400:5	C100	0.3	0.3	0.3	0.3	0.6	1.5	319.	
202R501		500:5	C100	0.3	0.3	0.3	0.3	0.8	1.5	319.	
202R601		600:5	C100	0.3	0.3	0.3	0.3	0.3	1.5	323.	
202R751		750:5	C200	0.3	0.3	0.3	0.3	0.3	1.5	323.	
202R801		800:5	C200	0.3	0.3	0.3	0.3	0.3	1.5	330.	
202R102		1000:5	C200	0.3	0.3	0.3	0.3	0.3	1.5	365.	
5 1/4"		203R101	100:5	C20	1.2	2.4	...	...	...	1.5	269.
	203R151	150:5	C20	0.6	1.2	2.4	2.4	...	1.5	269.	
	203R201	200:5	C20	0.3	0.6	1.2	2.4	2.4	1.5	269.	
	203R251	250:5	C20	0.3	0.6	1.2	1.2	2.4	1.5	269.	
	203R301	300:5	C50	0.3	0.3	0.6	1.2	1.2	1.5	269.	
	203R401	400:5	C50	0.3	0.3	0.6	0.6	1.2	1.5	269.	
	203R501	500:5	C100	0.3	0.3	0.3	0.3	0.6	1.5	269.	
	203R601	600:5	C100	0.3	0.3	0.3	0.3	0.6	1.5	269.	
	203R751	750:5	C100	0.3	0.3	0.3	0.3	0.3	1.5	275.	
	203R801	800:5	C100	0.3	0.3	0.3	0.3	0.3	1.5	275.	
	203R102	1000:5	C200	0.3	0.3	0.3	0.3	0.3	1.5	275.	
	203R122	1200:5	C200	0.3	0.3	0.3	0.3	0.3	1.5	275.	
203R152	1500:5	C200	0.3	0.3	0.3	0.3	0.3	1.5	287.		
203R162	1600:5	C200	0.3	0.3	0.3	0.3	0.3	1.33	287.		
203R202	2000:5	C200	0.3	0.3	0.3	0.3	0.3	1.33	287.		
203R252	2500:5	C200	0.3	0.3	0.3	0.3	0.3	1.33	287.		
203R302	3000:5	C200	0.3	0.3	0.3	0.3	0.3	1.33	287.		

▲ Catalog Numbers shown in bold type are normally stocked items.  
 △ Mounting brackets on page 12-24

12 TRANSFORMERS

Models 151R and 312R

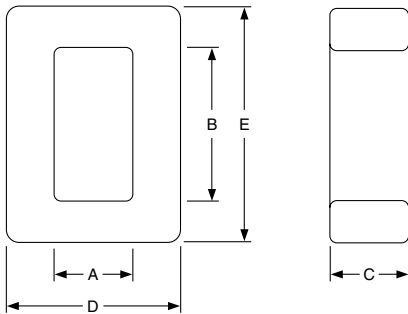


Model	Dimensions (inches)		
	A	B	C
151R	6.88	12.25	4.12
312R	4.50	11.00	2.38

**Multi-Ratio Taps (Models 151, 312, 781, 786)**

Nominal Ratio	Current Ratio* (Amperes)
600:5	600/500/450/400/300/250/200/150/100/50:5
1200:5	1200/1000/900/800/600/500/400/300/200/100:5
2000:5	2000/1600/1500/1200/1100/800/500/400/300:5
3000:5	3000/2500/2200/2000/1500/1200/1000/800/500/300:5
4000:5	4000/3500/3000/2500/2000/1500/1000/500

\* Taps in accordance with ANSI C57.13 and NEMA SG-4.



Model	Dimensions (inches)				
	A	B	C	D	E
260R	2.13	4.25	2.12	4.88	7.25
270R	3.56	8.81	3.00	9.25	13.06
273	3.50	6.25	3.27	9.25	11.28
560R	3.75	7.45	1.13	5.53	11.13

**Multi-Ratio Current Transformers**

Toroidal Current Transformers UR/cUR Recognized

60 Hz-Model 312R, 25–400 Hz-Model 151R

Window Size	Catalog Number▲ (without brackets)△	Current Rating (Amperes)	Relay Class ◇	ANSI Accuracy Classification – 60 Hz Metering Class				Rating Factor 30°C Ambient	Price	
				B-0.1	B-0.2	B-0.5	B-0.9			B-1.8
4 1/2"	312R601	600:5MR	C100	...	...	...	...	...	1.5	\$ 466.
	312R122	1200:5MR	C200	...	...	...	...	...	1.5	533.
	312R202	2000:5MR	C400	...	...	...	...	...	1.5	608.
	312R302	3000:5MR	C400	...	...	...	...	...	1.5	653.
6 7/8"	151R601	600:5MR	C200	...	...	...	...	...	1.33	772.
	151R122	1200:5MR	C400	...	...	...	...	...	1.33	901.
	151R202	2000:5MR	C400	...	...	...	...	...	1.33	972.
	151R302	3000:5MR	C400	...	...	...	...	...	1.33	1012.
	151R402	4000:5MR	C800	...	...	...	...	...	1.33	1041.

**Rectangular Window Current Transformers UR/cUR Recognized 50–400 Hz**

Window Size	Catalog Number▲ (without brackets)△	Current Rating (Amperes)	ANSI Accuracy Classification – 60 Hz Metering Class					Rating Factor 30°C Ambient	Price
			B-0.1	B-0.2	B-0.5	B-0.9	B-1.8		
2 1/8" X 4 1/4"	260R101	100:5	1.2	2.4	...	...	...	1.33	\$178.
	260R151	150:5	1.2	2.4	...	...	...	1.33	178.
	260R201	200:5	1.2	1.2	...	...	...	1.33	178.
	260R301	300:5	0.6	0.6	...	...	...	1.33	178.
	260R401	400:5	0.6	0.6	...	...	...	1.33	178.
	260R601	600:5	0.3	0.3	...	...	...	1.33	178.
	260R801	800:5	0.3	0.3	...	...	...	1.33	204.
	260R122	1200:5	0.3	0.3	...	...	...	1.33	235.
	260R162	1600:5	0.3	0.3	...	...	...	1.33	235.
	260R202	2000:5	0.3	0.3	...	...	...	1.33	256.
	260R252	2500:5	0.3	0.3	...	...	...	1.0	256.
	260R302	3000:5	0.3	0.3	...	...	...	1.0	256.
	260R402	4000:5	0.3	0.3	...	...	...	1.0	298.
	3 3/4" X 7 7/16"	560R401	400:5	1.2	1.2	2.4	...	...	1.33
560R501		500:5	0.6	1.2	2.4	...	...	1.33	143.
560R601		600:5	0.6	0.6	1.2	2.4	2.4	1.33	143.
560R751		750:5	0.6	0.6	1.2	1.2	2.4	1.33	143.
560R801		800:5	0.6	0.6	1.2	1.2	2.4	1.33	143.
560R102		1000:5	0.3	0.3	0.6	1.2	1.2	1.33	145.
560R122		1200:5	0.3	0.3	0.6	0.6	1.2	1.33	145.
560R152		1500:5	0.3	0.3	0.3	0.6	0.6	1.33	145.
560R162		1600:5	0.3	0.3	0.3	0.6	0.6	1.33	145.
560R202		2000:5	0.3	0.3	0.3	0.6	0.6	1.33	150.
560R252		2500:5	0.3	0.3	0.3	0.3	0.6	1.33	150.
560R302		3000:5	0.3	0.3	0.3	0.3	0.6	1.33	150.
560R322		3200:5	0.3	0.3	0.3	0.3	0.6	1.33	160.
560R402		4000:5	0.3	0.3	0.3	0.3	0.6	1.33	160.
560R502	5000:5	0.3	0.3	0.3	0.3	0.6	1.33	175.	

**Split-Core Current Transformers Model 270R is UR/cUR Recognized 60 Hz**

Window Size	Catalog Number▲ (without brackets)△	Current Rating (Amperes)	ANSI Accuracy Classification – 60 Hz Metering Class					Rating Factor 30°C Ambient	Price
			B-0.1	B-0.2	B-0.5	B-0.9	B-1.8		
3 3/4" x 8 9/16"	270R401	400:5	...	...	...	...	...	1.33	\$447.
	270R501	500:5	...	...	...	...	...	1.33	447.
	270R601	600:5	...	...	...	...	...	1.33	447.
3 9/16" x 8 9/16"	270R801	800:5	1.2	2.4	...	...	...	1.33	387.
	270R102	1000:5	1.2	1.2	2.4	...	...	1.33	427.
	270R122	1200:5	1.2	1.2	2.4	...	...	1.33	427.
	270R152	1500:5	1.2	1.2	2.4	...	...	1.33	427.
	270R162	1600:5	1.2	1.2	2.4	...	...	1.33	427.
	270R202	2000:5	1.2	1.2	1.2	2.4	...	1.33	457.
	270R252	2500:5	1.2	1.2	1.2	2.4	...	1.33	457.
	270R302	3000:5	1.2	1.2	1.2	1.2	2.4	1.0	479.
270R402	4000:5	1.2	1.2	1.2	1.2	1.2	1.0	502.	
270R502	5000:5	1.2	1.2	1.2	1.2	1.2	1.0	564.	
3 1/2" x 6 1/4"	273201	200:5	...	...	...	...	...	1.33	369.
	273251	250:5	...	...	...	...	...	1.33	369.
	273301	300:5	2.4	...	...	...	...	1.33	369.
	273401	400:5	2.4	...	...	...	...	1.33	369.
	273501	500:5	2.4	...	...	...	...	1.33	369.
	273601	600:5	2.4	2.4	...	...	...	1.33	447.
	273801	800:5	1.2	2.4	...	...	...	1.33	369.
	273102	1000:5	1.2	1.2	2.4	...	...	1.33	396.
	273122	1200:5	1.2	1.2	2.4	...	...	1.33	396.
	273162	1600:5	1.2	1.2	2.4	...	...	1.33	396.
	273202	2000:5	1.2	1.2	1.2	2.4	...	1.33	422.
	273252	2500:5	1.2	1.2	1.2	2.4	...	1.33	422.
	273302	3000:5	1.2	1.2	1.2	1.2	2.4	1.00	443.
	273402	4000:5	1.2	1.2	1.2	1.2	1.2	1.00	475.

▲ Catalog Numbers shown in bold type are normally stocked items.

△ Mounting brackets on page 12-24.

□ See chart at left for multi-ratio (MR) taps.

◇ Relay class applies to nominal ratio only.

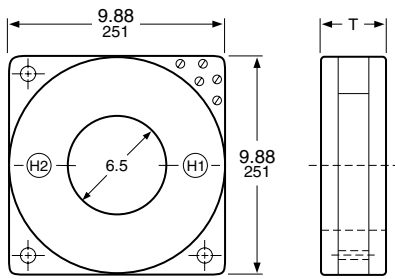
For additional information including excitation curves, reference Bulletin #4210CT9701R/01 or D-FAX™ #197 (Pages Front Cover–30) and #201 (Pages 31–Back Cover).



Instrument Transformers—600 Volt Class  
 Bushing Current Transformers, Auxiliary Current Transformers,  
 Mounting Brackets—Class 4210

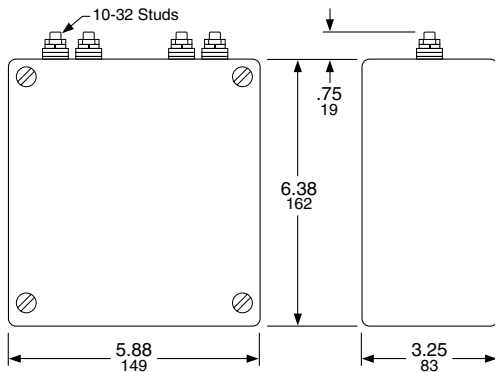
**Square D**  
**www.SquareD.com**  
 FOR CURRENT INFORMATION

Models 780R, 781R, 785R, 786R



Model	T (Inches)
780R	3.38
781R	3.38
785R	6.75
786R	6.75

Model 81X



Mounting Brackets

Model	Bracket	Price
2NR	MB1	\$ 3.90
5NR	MB1	3.90
7FL	MB7	5.00
54R	Included	...
64R	MB10	3.70
66R	MB12	5.30
74R	MB16	5.30
76R	MB18	5.30
81X	MB81	11.70
100R	MB31	11.70
110R	MB32	11.70
120R	MB31	11.70
140R	MB32	11.70
151R	MB30	11.70
152R	MB30	11.70
170R	MB30	11.70
180R	MB9	7.10
200R	Included	...
201R	Included	...
202R	Included	...
203R	Included	...
210R	MB32	11.70
260R	Not Available	...
270R	Not Available	...
273	Not Available	...

Bushing Current Transformers 50–400 Hz

Window Size	Catalog Number	Current Rating (Amperes)	Relay Class	ANSI Accuracy Classification—60 Hz Metering Class					Rating Factor 30°C Ambient	Price	
				B-0.1	B-0.2	B-0.5	B-0.9	B-1.8			
6 1/2"	780R500	50:5	...	...	...	...	...	...	2.0	\$207.	
	780R750	75:5	C10	1.2	2.4	...	...	...	2.0	207.	
	780R101	100:5	C10	2.4	2.4	...	...	...	2.0	207.	
	780R151	150:5	C20	0.6	1.2	...	...	...	2.0	207.	
	780R201	200:5	C20	0.6	1.2	2.4	...	...	2.0	207.	
	780R251	250:5	C20	0.6	0.6	1.2	2.4	...	2.0	207.	
	780R301	300:5	C50	0.3	0.6	1.2	1.2	2.4	2.0	207.	
	780R401	400:5	C50	0.3	0.3	0.6	1.2	1.2	2.0	207.	
	780R501	500:5	C50	0.3	0.3	0.6	0.6	1.2	2.0	207.	
	780R601	600:5	C100	0.3	0.3	0.3	0.6	0.6	2.0	207.	
	780R751	750:5	C100	0.3	0.3	0.3	0.3	0.6	2.0	223.	
	780R801	800:5	C100	0.3	0.3	0.3	0.3	0.6	2.0	223.	
	780R102	1000:5	C100	0.3	0.3	0.3	0.3	0.3	2.0	223.	
	780R122	1200:5	C200	0.3	0.3	0.3	0.3	0.3	2.0	223.	
	780R152	1500:5	C200	0.3	0.3	0.3	0.3	0.3	2.0	223.	
	6 1/2"	780R162	1600:5	C200	0.3	0.3	0.3	0.3	0.3	2.0	233.
780R202		2000:5	C200	0.3	0.3	0.3	0.3	0.3	2.0	233.	
780R252		2500:5	C200	0.3	0.3	0.3	0.3	0.3	2.0	233.	
780R302		3000:5	C200	0.3	0.3	0.3	0.3	0.3	2.0	233.	
780R402		4000:5	C200	0.3	0.3	0.3	0.3	0.3	1.5	248.	
6 1/2"		781R601	600:5 MR	C100	0.3	0.3	0.3	0.6	0.6	2.0	278.
		781R122	1200:5 MR	C200	0.3	0.3	0.3	0.3	0.3	2.0	293.
		781R202	2000:5 MR	C200	0.3	0.3	0.3	0.3	0.3	2.0	304.
		781R302	3000:5 MR	C200	0.3	0.3	0.3	0.3	0.3	2.0	304.
		781R402	4000:5 MR	C200	0.3	0.3	0.3	0.3	0.3	1.5	320.
		6 1/2"	785R500	50:5	C10	2.4	2.4	...	...	...	2.0
785R750			75:5	C20	1.2	1.2	...	...	...	2.0	377.
785R101			100:5	C20	1.2	1.2	2.4	...	...	2.0	377.
785R151			150:5	C50	0.6	0.6	1.2	2.4	...	2.0	377.
785R201			200:5	C50	0.6	0.6	1.2	2.4	2.4	2.0	377.
785R251			250:5	C50	0.3	0.6	1.2	1.2	2.4	2.0	377.
785R301	300:5		C100	0.3	0.3	0.6	0.6	1.2	2.0	377.	
785R401	400:5		C100	0.3	0.3	0.3	0.6	1.2	2.0	377.	
785R501	500:5		C100	0.3	0.3	0.3	0.6	0.6	2.0	377.	
785R601	600:5		C200	0.3	0.3	0.3	0.3	0.6	2.0	377.	
785R751	750:5		C200	0.3	0.3	0.3	0.3	0.3	2.0	377.	
785R801	800:5		C200	0.3	0.3	0.3	0.3	0.3	2.0	405.	
785R102	1000:5		C200	0.3	0.3	0.3	0.3	0.3	2.0	405.	
785R122	1200:5		C400	0.3	0.3	0.3	0.3	0.3	2.0	405.	
785R152	1500:5		C400	0.3	0.3	0.3	0.3	0.3	2.0	405.	
6 1/2"	785R162		1600:5	C400	0.3	0.3	0.3	0.3	0.3	2.0	405.
	785R202	2000:5	C400	0.3	0.3	0.3	0.3	0.3	2.0	423.	
	785R252	2500:5	C400	0.3	0.3	0.3	0.3	0.3	2.0	423.	
	785R302	3000:5	C400	0.3	0.3	0.3	0.3	0.3	2.0	423.	
	785R402	4000:5	C400	0.3	0.3	0.3	0.3	0.3	1.5	451.	
	6 1/2"	786R601	600:5 MR	C200	0.3	0.3	0.3	0.3	0.3	2.0	448.
		786R122	1200:5 MR	C400	0.3	0.3	0.3	0.3	0.3	2.0	476.
		786R202	2000:5 MR	C400	0.3	0.3	0.3	0.3	0.3	2.0	493.
		786R302	3000:5 MR	C400	0.3	0.3	0.3	0.3	0.3	2.0	493.
		786R402	4000:5 MR	C400	0.3	0.3	0.3	0.3	0.3	1.5	522.

□ See chart on page 12-23 for multi-ratio (MR) taps.

Auxiliary Current Transformer

Catalog Number (without brackets)	Ratio	Price
81X05000100	5:1	\$425.
81X05000200	5:2	425.
81X05000250	5:2.5	425.
81X05000500	5:5	425.
81X07500500	7.5:5	425.
81X10000500	10:5	425.
81X12500500	12.5:5	425.
81X15000500	15:5	425.

Model 81X Accuracy 0.3B0.1, B0.2, B0.5@60 Hz, RF=1.5@30°C

For additional information including excitation curves, reference Bulletin #4210CT9701R6/01 or D-FAX™ #197 (Pages Front Cover–30) and #201 (Pages 31–Back Cover).

